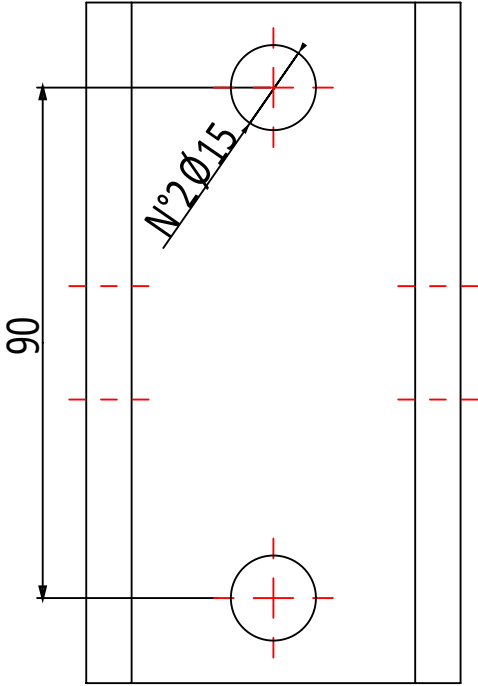
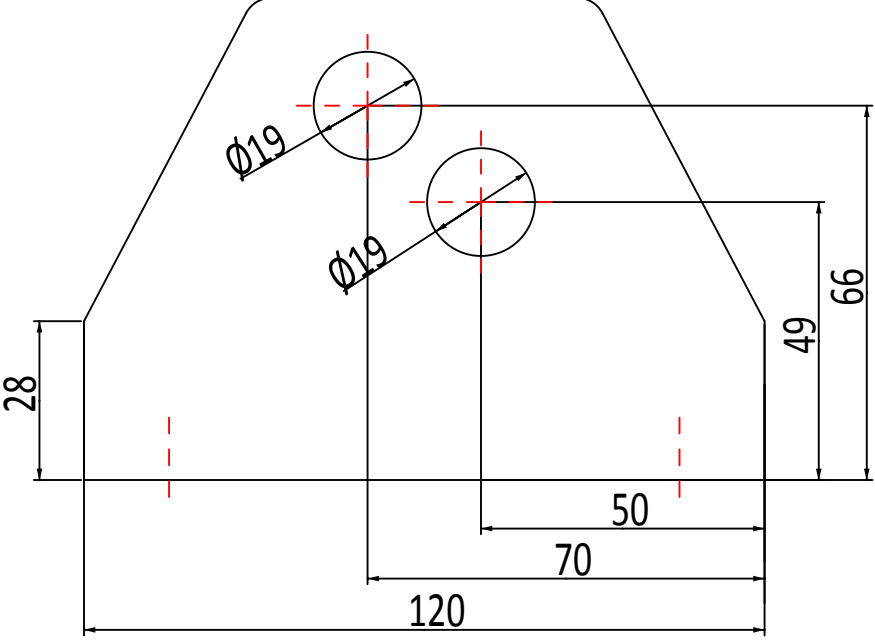
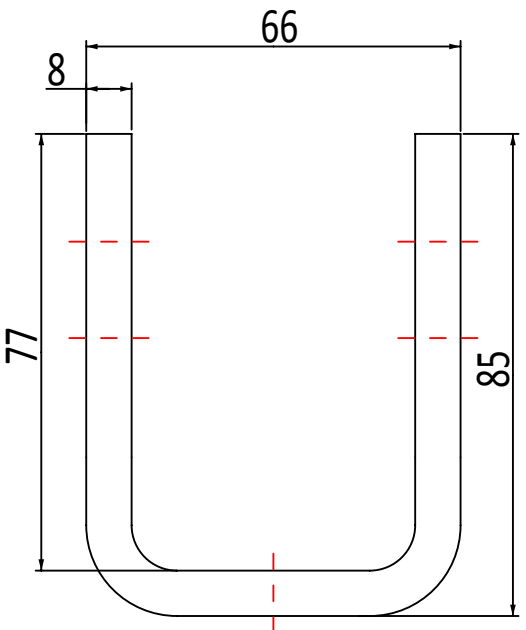


# LNKST



dimensions in mm