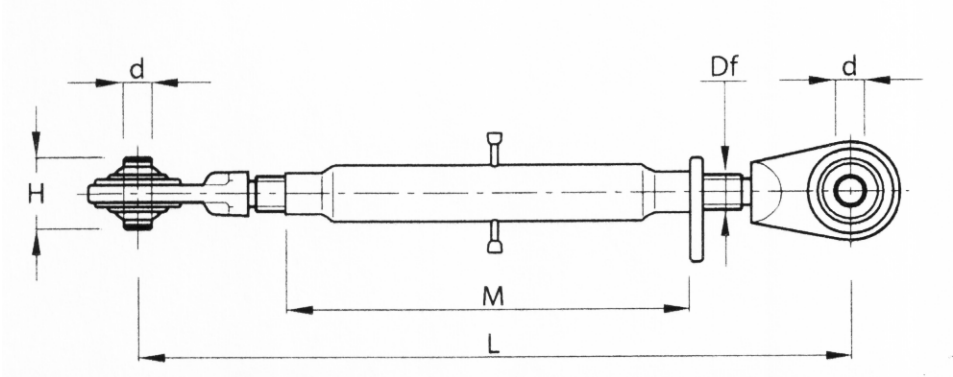
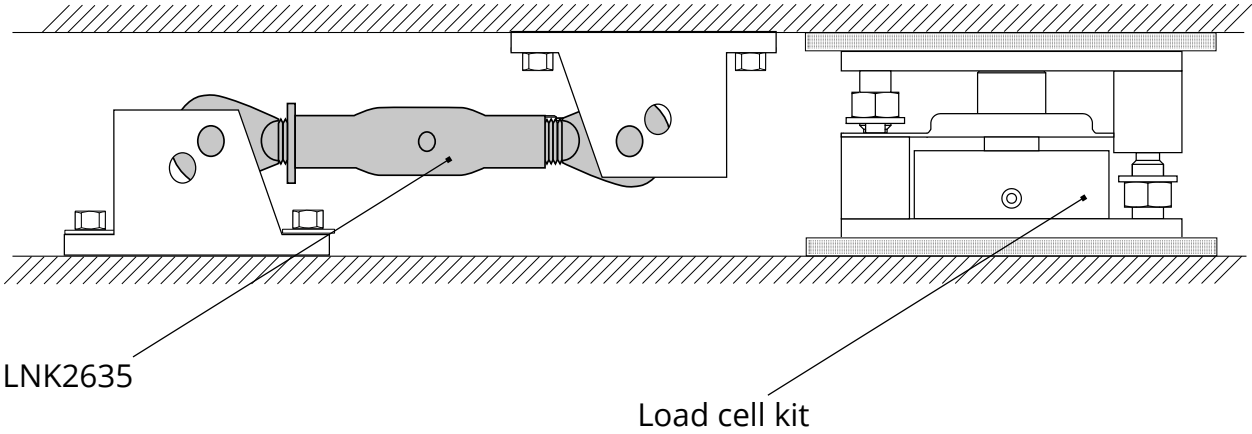


# LNK2635 Spanner - Modul für CP



CAT.	d	H	Df	M	L		Weight (kg)	
					MIN.	MAX.		
LNK2635	1	19	44	M22X2.5	150	260	350	1.70

### Example



Application

